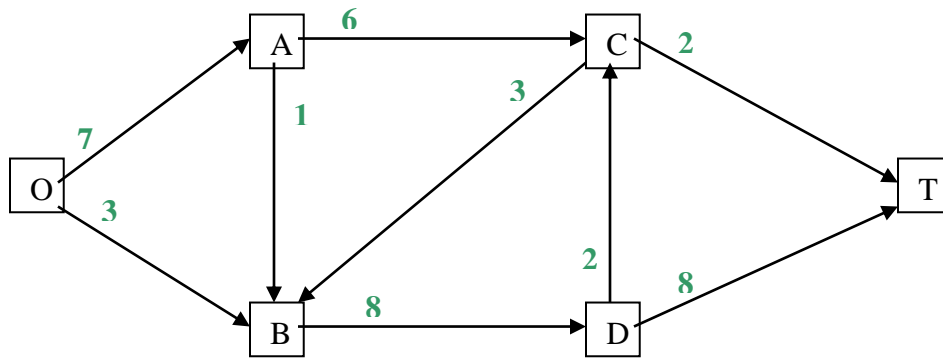


Math 3050 HW Problem on Maximum Flow

You are given the following directed network with source O and sink T.



- a) Find a maximum flow from O to T in the network.
(Choose $O \rightarrow B \rightarrow D \rightarrow C \rightarrow T$ as the first augmenting path. This will allow you to practice the technique of reversing a flow in later iterations.)
- b) Find a minimum cut. What is its capacity?